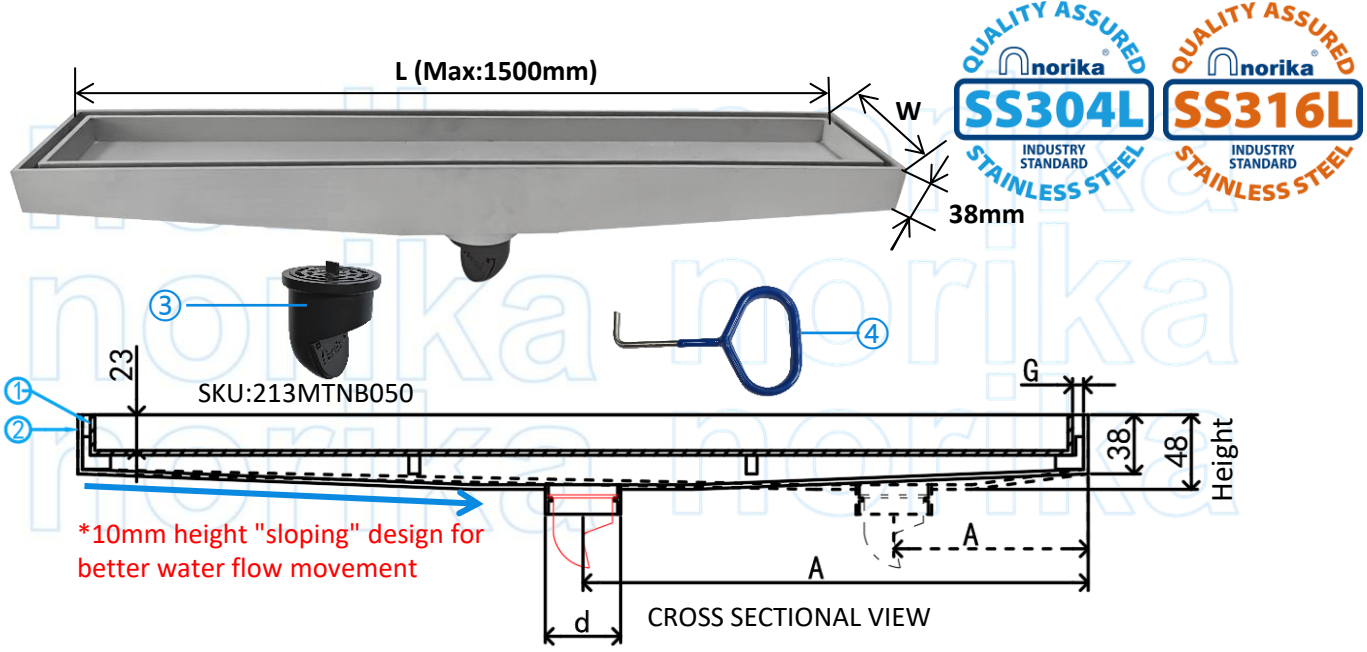
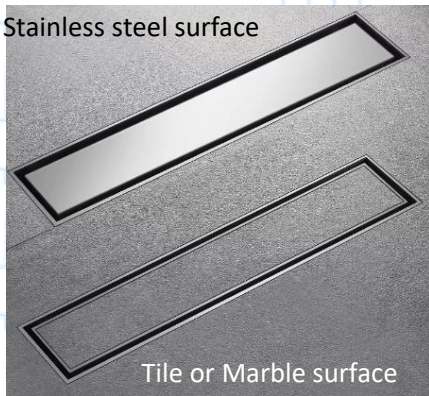


LINEAR SHOWER DRAIN (FOR 20MM THK MARBLE)



Made from **3mm** thick materials with a reinforced main body, providing exceptional sturdiness and durability.



INSTALLATION EFFECT

COMPONENT PARTS

ITEM	PARTS	MATERIAL
1	Tray	AISI304 / AISI316L
2	Frame	AISI304 / AISI316L
3	Filter	UPVC (SKU:213MTNB050)
4	Key	AISI304 / AISI316L

CHARACTERISTIC

Main function	Drainage, sealing
Surface treatment	Hairline
Applications	Sleek and modern linear shower drain, ideal for use in residences, hotels, apartments, office buildings, HDB units, and villas.

DIMENSIONS

SKU	W (mm)	L (MAX.1500mm)	G (mm)	A (mm)	Height (mm)	Thick (mm)	d (mm)	WEIGHT (Kg)	PCS/CTN
SMARTL-0550600MC*	55	600	5	325	48	3	48.5	-	1
SMARTL-0550900MC*		900		450				-	1
SMARTL-055— MS*		Customizable		Centre or Edge				-	1
SMARTL-0760600MC*	76	600	5	325	48	3	48.5	-	1
SMARTL-0760900MC*		900		450				-	1
SMARTL-076— MS*		Customizable		Centre or Edge				-	1
SMARTL-1000600MC*	100	600	5	325	48	3	48.5	-	1
SMARTL-1000900MC*		900		450				-	1
SMARTL-100— MS*		Customizable		Centre or Edge				-	1

*This item requires special ordering. Please consult with a salesperson for the estimated lead time.

If customization is requested, please provide the dimensions for W, L, A, and d.